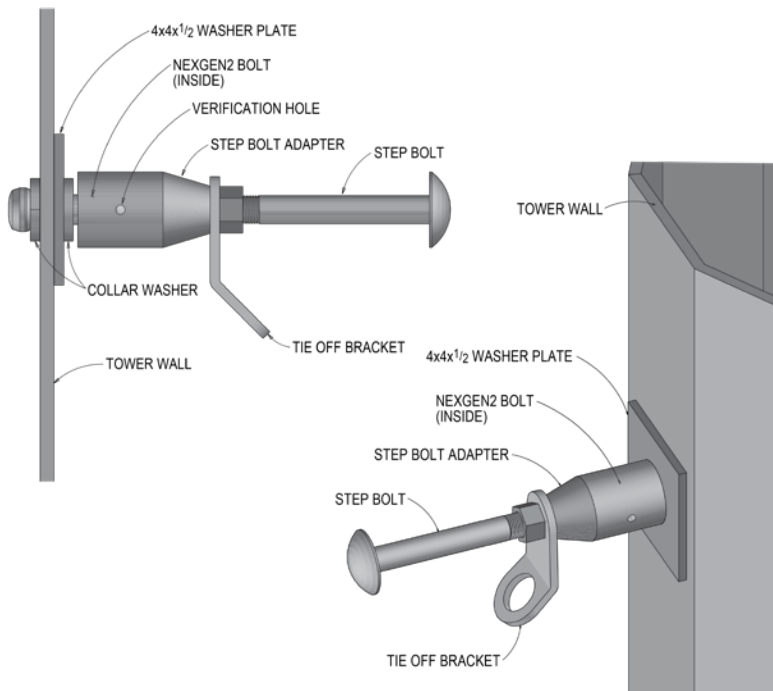


STEP BOLT ADAPTOR

FOR ALL THINGS FASTENING ... AND TOWER.

Option #1

Step Bolt Adapter Without Flat Plate



1. Install NexGen2™ bolt with 1/4 x 4 x 4 Square Plate Washer in desired location. Tension NG2™ bolt using NG2™ shear wrench. NexGen2™ bolt must have sufficient threads available for step bolt adapter engagement.
2. Install step bolt adapter assembly on the NG2™ bolt. Ensure thread length is sufficient by checking whether the NG2™ bolt threads are visible in the verification hole. Hand tighten.
3. If needed, a yellow tie off bracket may be installed on the step bolt, between the step bolt adapter and hex jam nut.
4. Finished installed product:



Parts Needed

NexGen2™ Blind Bolt Assembly

ICC ESR-3975

MADE IN THE USA

LENGTH/SIZE DEPENDENT ON APPLICATION

PATENTED PRODUCT #10018212 & #9696478



Part No.	Bolt Length(mm)	Grip Range	Sleeve Length(in)	
2NG2060	M20 x 60	0.625 min.	N/A	24
2NG2032	M20 x 75	0.625-1.375	N/A	24
2NG2036	M20 x 95	0.9375 - 1.4375	0.6875	24
2NG2048	M20 x 95	1.4375 - 1.875	1.1875	24
2NG2057	M20 x 95	1.875 - 2.125	1.625	24
2NG2068	M20 x 135	2.125 - 2.6875	1.75	24
2NG2096	M20 x 135	2.6875 - 3.75	2.4375	24
2NG2127	M20 x 175	3.75 - 5.125	3	16
2NG2212	M20 x 250	5 - 8.3125	4	10

Square Plate Washer

HOT DIP GALVANIZED | A36

MADE IN THE USA



Part No.	Size	Hole Diameter	
2SW011414400	1/4 X 4 X 4	1-1/4	1

Step Bolt Adapter

MAGNI 565

PATENTED PRODUCT #968359

MADE IN THE USA



Part No.	Size	
2RCNGM20212A	M20 x 3/4 x 2-1/2	1

Step Bolt Tie Off Bracket

STAINLESS STEEL | YELLOW

45 DEGREE | 5000LB RATING



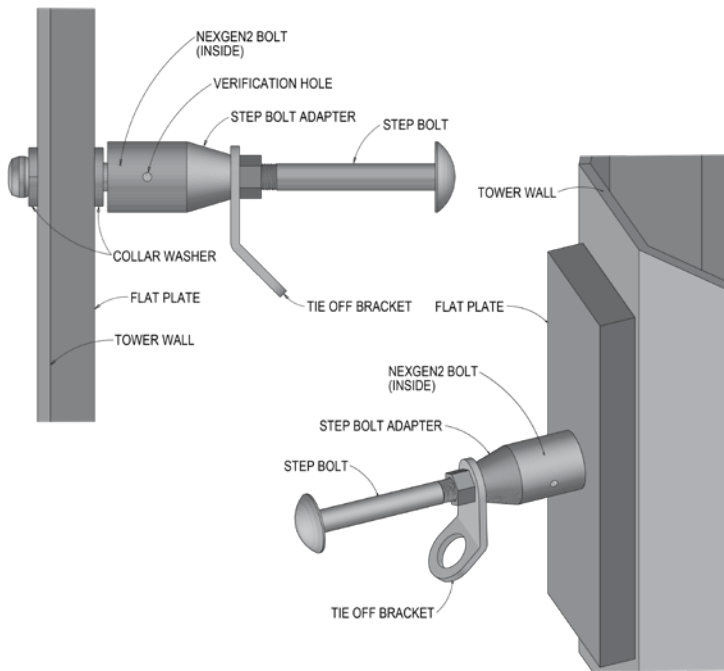
Part No.	
14ST034	1

STEP BOLT ADAPTOR

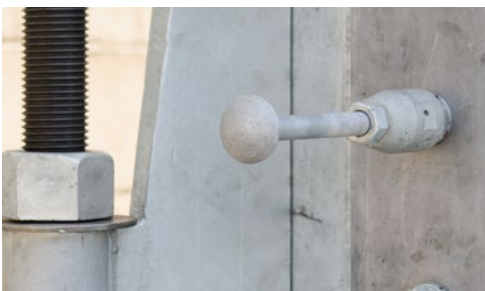
FOR ALL THINGS FASTENING ... AND TOWER.

Option #2

Step Bolt Adapter on Flat Plate



1. Install NexGen2™ bolt on flat plate in desired location. Tension NG2™ bolt using the NG2™ shear wrench. NexGen2™ bolt must have sufficient thread length available for step bolt adapter engagement.
2. Install step bolt adapter assembly on the NG2™ bolt. Ensure thread length is sufficient by checking whether the NG2™ bolt threads are visible in the verification hole. Hand tighten.
3. If needed, a yellow tie off bracket may be installed on the step bolt, between the step bolt adapter and hex jam nut.
4. Finished installed product:



Parts Needed

NexGen2™ Blind Bolt Assembly


ICC ESR-3975

MADE IN THE USA

LENGTH/SIZE DEPENDENT ON APPLICATION

PATENTED PRODUCT #10018212 & #9696478



Part No.	Bolt Length(mm)	Grip Range	Sleeve Length(in)	
2NG2060	M20 x 60	0.625 min.	N/A	24
2NG2032	M20 x 75	0.625-1.375	N/A	24
2NG2036	M20 x 95	0.9375 - 1.4375	0.6875	24
2NG2048	M20 x 95	1.4375 - 1.875	1.1875	24
2NG2057	M20 x 95	1.875 - 2.125	1.625	24
2NG2068	M20 x 135	2.125 - 2.6875	1.75	24
2NG2096	M20 x 135	2.6875 - 3.75	2.4375	24
2NG2127	M20 x 175	3.75 - 5.125	3	16
2NG2212	M20 x 250	5 - 8.3125	4	10

Step Bolt Adapter

MAGNI 565

PATENTED PRODUCT #968359

MADE IN THE USA



Part No.	Size	
2RCNGM20212A	M20 x 3/4 x 2-1/2	1

Step Bolt Tie Off Bracket

STAINLESS STEEL | YELLOW

45 DEGREE | 5000LB RATING



Part No.	
14ST034	1