

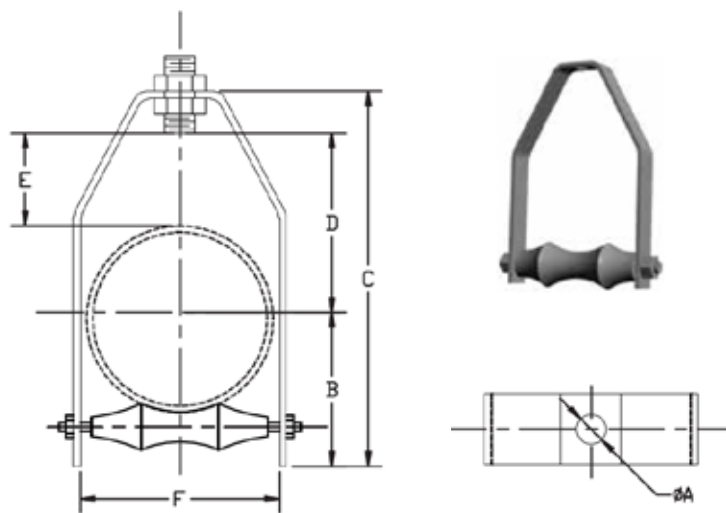


CLEVIS ROLLER HANGER

PLAIN & HOT-DIP GALVANIZED

DIMENSIONAL DATA

Size	2" thru 24"
Finishes	Plain & Hot Dip Galvanized
Material	ASTM A48, CLASS 25A - Roller AISI C1015 Carbon Steel Yoke, Axel & Hardware
Service	Designed for the suspension of pipe where longitudinal movement of pipe may occur due to expansion and contraction, and where vertical adjustment may be necessary
Features	Maximum temperature 450° F. Designed to be compatible with Elite Components Roller
Approvals	Conforms with Federal Specification A-A-1192A (Type 41/43), W-W-171-E (Type 42/44), Manufacturers Standardization Society (MSS) SP-58 and SP-69 (Type 41/43)



▪ Loads (LBS); Weights (LBS); Dimensions (IN)

PLAIN & HOT-DIP GALVANIZED

Size	Max Load	Weight	A	B	C	D	E	F
2	150	1.23	3/8-16	1-9/16	4-3/4	2-3/8	1-7/16	2-7/8
2-1/2	225	1.78	1/2-13	1-7/8	6	3-3/16	2	3-1/4
3	310	2.06	1/2-13	2-3/16	6-5/8	3-1/2	2	3-7/8
4	475	3.44	5/8-11	2-3/4	7-7/8	4	2	4-7/8
5	685	6.00	5/8-11	3-3/8	9-3/16	4-9/16	2	5-15/16
6	780	8.00	3/4-10	3-15/16	10-3/8	5-1/16	2	7
8	780	13.00	3/4-10	5-1/16	12-5/8	6-1/16	2	9
10	965	16.00	7/8-9	6-1/4	14-15/16	7-3/16	2-1/16	11-1/8
12	1200	26.00	7/8-9	7-3/8	17-3/8	8-3/8	2-1/4	13-3/8
14	1200	34.00	1-8	8-1/4	19	8-3/4	2-1/4	14-1/2
16	1200	39.00	1-8	9-1/4	20-3/4	9-3/4	2	16-3/8
18	1400	49.00	1-8	10-3/8	23-11/16	11-7/16	2-11/16	18-3/8
20	1600	66.86	1-1/4-7	11-1/2	25-7/8	12-1/4	2-1/2	20-3/8
24	1800	116.30	1-1/2-6	13-13/16	31-9/16	15	3-1/2	24-5/8