

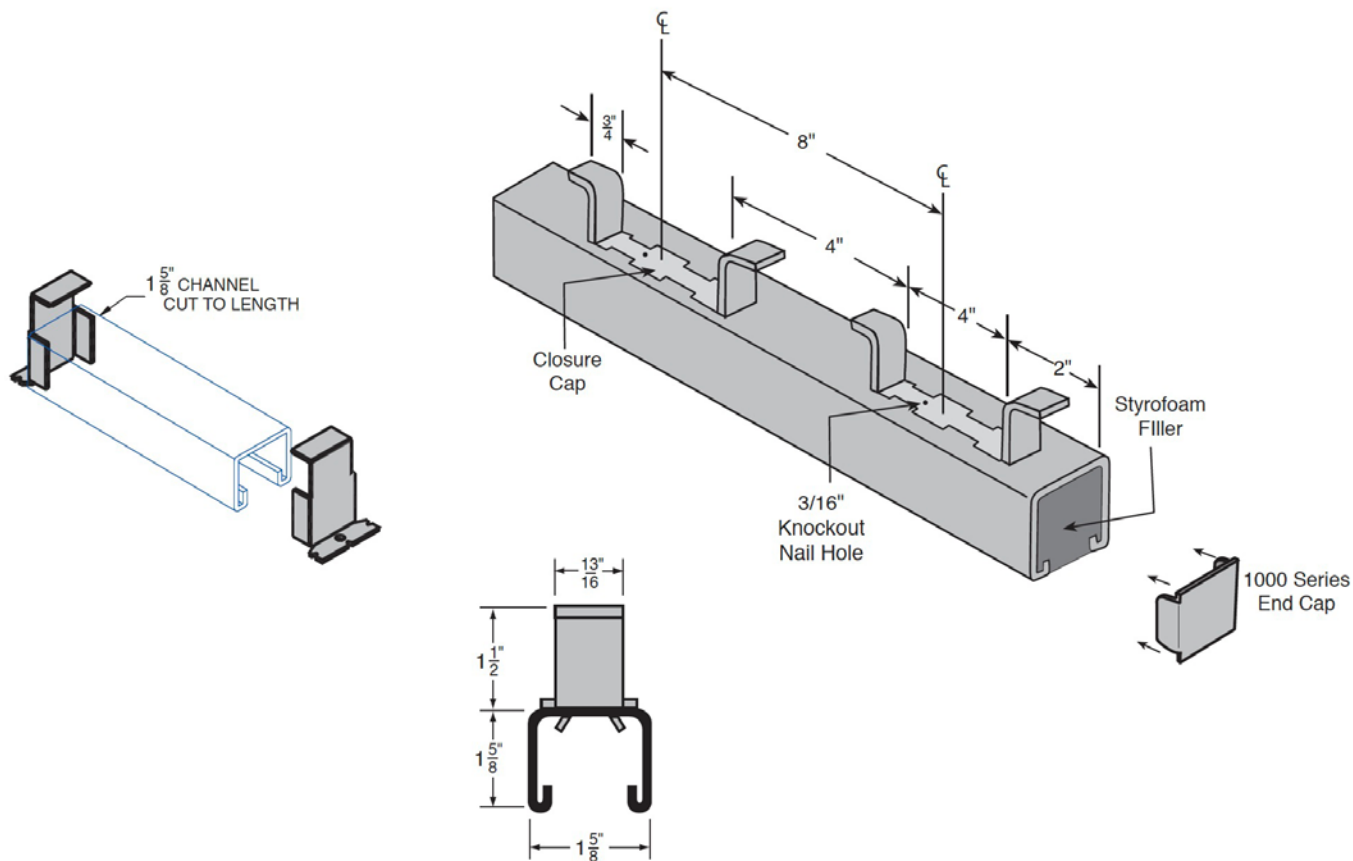


CONCRETE INSERT CHANNEL

PRE-GALVANIZED, HOT-DIP GALVANIZED & ELECTRO-GALVANIZED

SPECIFICATIONS & DIMENSIONAL DATA

Channel: 1-5/8" x 1-5/8" x 12 Gauge. Stocked in Pre-Galvanized & Plain in 10' & 20' lengths.



General	Concrete Inserts are designed for the attachment or suspension of framing, piping or equipment to concrete structures where a continuous insert slot is required.
Length	Concrete Inserts are produced and stocked in 10 and 20 foot lengths. Other lengths are available upon request.
Materials	Concrete Inserts and Accessories are produced from prime steel covering the following specifications: Hot Rolled Carbon Steel. ASTM A-1011-04-SS Cold Rolled Carbon Steel. ASTM A-1008 Stainless Steel - Type 304/316. ASTM A-240
Finishes	Concrete Inserts and Accessories are stocked in the following finishes: Pre-Galvanized. ASTM A-653-G90 Hot-Dip Galvanized. ASTM A-123 Electro Galvanized. ASTM B-633
Ordering	Specify catalog number, length or size where required and finish when necessary.

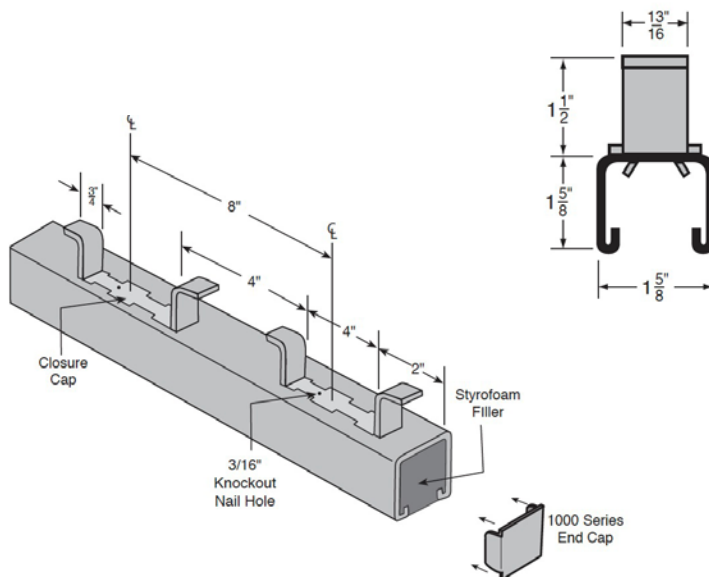


CONCRETE INSERT CHANNEL

PRE-GALVANIZED, HOT-DIP GALVANIZED & ELECTRO-GALVANIZED

SPECIFICATIONS & DIMENSIONAL DATA

Length/Inch	Weight per 100 pcs	Max. Allowable Load per 12" Section
12	194	2000
18	291	
24	388	
30	485	
36	582	
48	776	
60	970	
72	1164	
84	1358	
96	1552	
108	1746	
120	1940	
240	3880	



FEATURES

- Loading data was calculated in a concrete mixture which was proportioned so that the compression strength of the concrete was 2,500 to 3,000 pounds per square inch and that the load is dependent on the surrounding concrete.
- Tests were performed with a safety factor of 3, and in accordance with the MFMA Specifications.
- Concrete inserts are supplied with either the 1000 or 1001 series end cap and either a styrofoam filler or plastic strip (C-900P) installed in the insert channel to prevent any concrete seepage.
- Stocked in either plain and pre-galvanized, see technical data section for ASTM specifications.
- Inserts should be secured to forms at 16" intervals
- When ordering, please indicate finish and either foam filler, or plastic closure.

Concrete Inserts are supplied with the 1000 series end cap and a Styrofoam strip or Plastic Closure (C-900P) inserted into the channel to prevent any concrete seepage.