

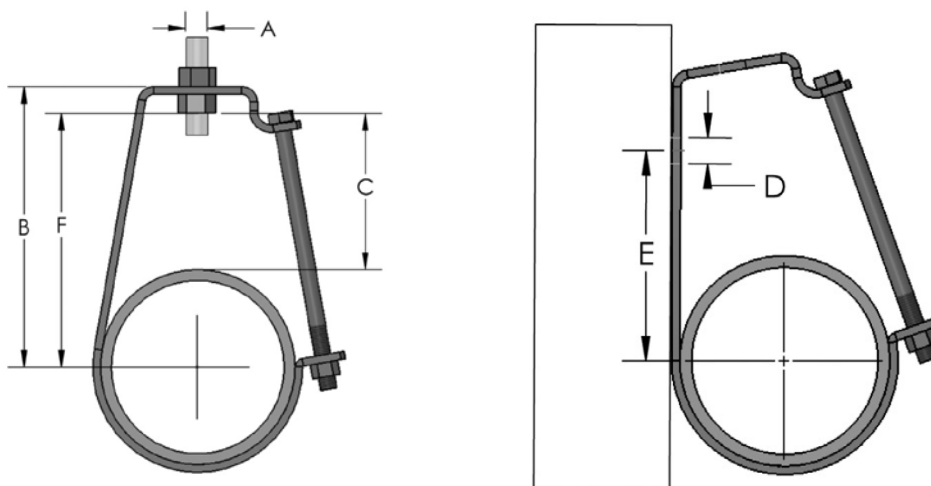


J-HANGER

ELECTRO-GALVANIZED, 304 & 316 STAINLESS STEEL

DIMENSIONAL DATA

Materials/Finishes	Electro-Galvanized: Imported; Electro-Galvanized: Imported, 3/16" Felt-lined
Variants	304 Stainless; 316 Stainless
Service	Designed for the suspension of non-insulated, stationary pipe lines.
Approvals	Complies with Manufactures' Standardization Society(MSS) SP-58 & SP-69 (Type 5)
Ordering	Specify figure number, finish and pipe size.
Notes	Stainless steel hangers are recommended for applications where protection from a corrosive environment is required.



ELECTRO-GALVANIZED

Pipe Size	Pipe O.D.	Bolt	A	B	C	D	E	F	WGT EACH (lbs)	MAX REC LOAD (lbs)
1/2	0.840	1/4	3/8"-16	2-5/8	1-3/4	7/16	1-1/2	1-15/16	0.15	400
3/4	1.050	1/4	3/8"-16	2-7/8	1-7/8	7/16	1-3/4	2-1/8	0.20	400
1	1.315	1/4	3/8"-16	2-15/16	1-15/16	7/16	1-7/8	2-5/16	0.20	400
1-1/4	1.660	1/4	3/8"-16	3-1/4	2	7/16	2-3/16	2-5/8	0.20	400
1-1/2	1.900	1/4	3/8"-16	3-9/16	2-3/16	7/16	2-1/2	2-7/8	0.25	400
2	2.375	1/4	3/8"-16	3-11/16	2-1/8	7/16	2-11/16	3-1/16	0.25	400
2-1/2	2.875	3/8	1/2"-13	4-7/16	2-7/16	9/16	2-7/8	3-5/8	0.60	500
3	3.500	3/8	1/2"-13	4-13/16	2-9/16	9/16	3-1/2	4-1/16	0.78	500
3-1/2	4.000	3/8	1/2"-13	5-1/8	2-5/8	9/16	3-3/4	4-3/8	1.00	500
4	4.500	3/8	5/8"-11	6-7/8	3-3/16	9/16	4-1/4	5-3/16	1.10	550
5	5.563	3/8	5/8"-11	6-3/4	3-1/4	9/16	5-7/16	5-3/4	1.25	550
6	6.625	3/8	3/4"-10	7-3/4	3-9/16	9/16	5-5/8	6-5/8	2.25	600
8	8.625	3/8	7/8"-9	9-3/16	3-15/16	9/16	6-3/16	8	2.90	760
10	10.750	3/8	7/8"-9	11-3/16	4-13/16	9/16	7-13/16	10-3/16	3.45	760

**J-HANGER**

ELECTRO-GALVANIZED, 304 & 316 STAINLESS STEEL

DIMENSIONAL DATA (CONT'D)**304 STAINLESS AND 316 STAINLESS**

Pipe Size	Pipe O.D.	Bolt	A	B	C	D	E	F	WGT EACH (lbs)	MAX REC LOAD (lbs)
1/2	0.840	1/4	3/8"-16	2-5/8	1-3/4	7/16	1-1/2	1-15/16	0.21	400
3/4	1.050	1/4	3/8"-16	2-7/8	1-7/8	7/16	1-11/16	2-1/8	0.22	400
1	1.315	1/4	3/8"-16	2-15/16	1-15/16	7/16	1-13/16	2-5/16	0.25	400
1-1/4	1.660	1/4	3/8"-16	3-1/4	2	7/16	2-1/16	2-5/8	0.27	400
1-1/2	1.900	1/4	3/8"-16	3-9/16	2-3/16	7/16	2-7/16	2-7/8	0.29	400
2	2.375	1/4	3/8"-16	3-11/16	2-1/8	7/16	2-9/16	3-1/16	0.31	400
2-1/2	2.875	3/8	1/2"-13	4-7/16	2-7/16	9/16	3-3/16	3-5/8	0.71	500
3	3.500	3/8	1/2"-13	4-13/16	2-9/16	9/16	3-1/2	4-1/16	0.78	500
3-1/2	4.000	3/8	1/2"-13	5-1/8	2-5/8	9/16	3-3/4	4-3/8	0.84	500
4	4.500	3/8	5/8"-11	6-1/8	3-3/16	9/16	4-5/8	5-3/16	1.39	550
5	5.563	3/8	5/8"-11	6-3/4	3-1/4	9/16	5-1/16	5-3/4	1.66	550
6	6.625	3/8	3/4"-10	7-3/4	3-9/16	9/16	5-13/16	6-5/8	2.26	600
8	8.625	3/8	7/8"-9	9-3/16	3-15/16	9/16	6-15/16	8	3.32	760