



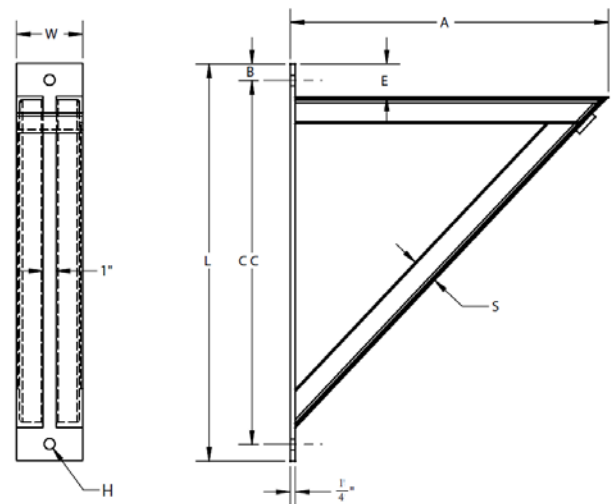
LIGHT WELDED BRACKET

PLAIN, HOT-DIP GALVANIZED, 304 & 316 STAINLESS STEEL



DIMENSIONAL DATA

Materials/ Finishes	Plain Carbon Steel; Hot-Dip Galvanized; 304 Stainless Steel; 316 Stainless Steel
Service	Recommended for the support of pipe loads up to 750 lbs. Constructed of facing angle iron with 1" space. The bracket provides maximum lateral adjustment when carrying or suspending pipe.
Approvals	Complies with Manufacturers' Standardization Society MSS SP 58 (Type#32).
Ordering	Specify figure number, finish and size number



CARBON STEEL

Size No.	C-C	A	E	H	B	L	Angle Size S	W	Weight Each (lbs)
1	11-1/2	9	2	13/16	3/4	13	1 x 1 x 3/16	3	6.63
2	15-1/2	13	2	13/16	3/4	17	1 x 1 x 3/16	3	9.33
3	21-1/2	19	2	13/16	3/4	23	1 x 1 x 3/16	3	13.34

STAINLESS STEEL

Size No.	C-C	A	E	H	B	L	Angle Size S	W	Weight Each (lbs)
1	11-1/2	9	2	13/16	3/4	13	1 x 1 x 3/16	3	7.00
2	15-1/2	13	2	13/16	3/4	17	1 x 1 x 3/16	3	9.62
3	21-1/2	19	2	13/16	3/4	23	1 x 1 x 3/16	3	13.73