



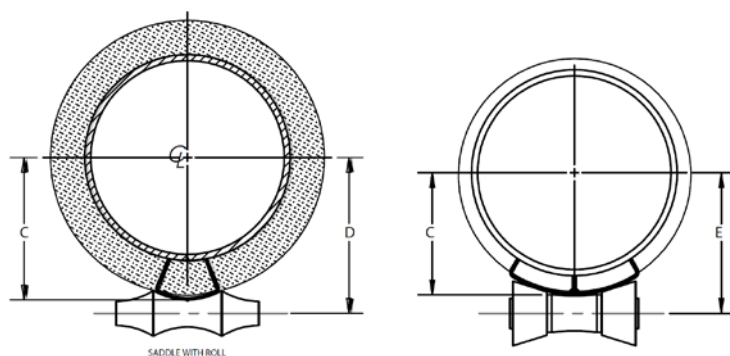
# PIPE COVERING PROTECTION SADDLE

PLAIN, HOT-DIP GALVANIZED, ELECTRO-GALVANIZED, 304 & 316 STAINLESS STEEL



## DIMENSIONAL DATA

<b>Materials/ Finishes</b>	Plain Carbon Steel; Electro-Galvanized; Hot-dip Galvanized; 304 Stainless Steel & 316 Stainless Steel
<b>Variants</b>	1" Insulation; 1-1/2" Insulation; 2" Insulation; 2-1/2" Insulation; 3" Insulation; 4" Insulation
<b>Service</b>	Designed for use on insulated high temperature pipe lines to protect insulation from damage and minimize heat loss.
<b>Approvals</b>	Complies with Manufacturers' Standardization Society MSS SP 58 and SP 69 (Type#39).
<b>Ordering</b>	Specify figure number, finish and insulation size.



Pipe Size	Fig. No.	Actual Thickness of Covering	Hanger Roller Size			Center Line of Pipe to Outside of Saddle C	Center Line of Pipe to Center Line of Roll D	Center Line of Pipe to Center Line of Roll E	Weight Each (lbs)	Max Rec Load (lbs)
			Use with Fig. No.							
			273 275 277	272	279-S 280-S					
3/4	1900	7/8	2	2-1/2	2-3-1/2	1-9/16	1-15/16	2-1/4	0.93	1200
3/4	1901	1-7/16	3	3-1/2	2-3-1/2	2-1/8	2-5/8	2-7/8	1.74	1200
3/4	1902	2-1/16	4	5	2-3-1/2	2-3/4	3-3/8	3-3/8	2.60	1200
1	1900	1-1/16	2-1/2	3	2-3-1/2	1-13/16	2-1/4	2-7/16	0.93	1200
1	1901	1-9/16	3	4	2-3-1/2	2-7/16	2-15/16	3	1.74	1200
1	1902	2-1/8	4	5	2-3-1/2	2-7/8	3-1/2	3-1/2	2.60	1200
1-1/4	1900	7/8	2-1/2	3	2-3-1/2	1-15/16	2-1/2	2-9/16	1.32	1200
1-1/4	1901	1-5/8	3-1/2	5	2-3-1/2	2-9/16	3-1/8	3-3/16	1.82	1200
1-1/4	1902	2-1/16	5	5	2-3-1/2	3-1/16	3-11/16	3-11/16	2.60	1200
1-1/2	1900	1	3	3-1/2	2-3-1/2	2-1/8	2-5/8	2-11/16	1.32	1200
1-1/2	1901	1-1/2	3-1/2	5	2-3-1/2	2-11/16	3-1/4	3-5/16	1.82	1200
1-1/2	1902	2-5/16	5	6	4-6	6-7/16	4-1/8	3-7/8	2.75	1800
1-1/2	1903	2-13/16	7	7	4-6	3-13/16	4-5/8	4-1/2	3.01	1800
2	1900	1-1/16	3-1/2	4	2-3-1/2	2-7/16	3	3-1/16	1.34	1200
2	1901	1-9/16	4	5	2-3-1/2	2-7/8	3-1/2	3-9/16	1.98	1200
2	1902	2-1/8	5	6	4-6	3-11/16	4-3/8	4-3/16	2.80	1800
2	1903	2-5/8	7	7	4-6	3-15/16	4-3/4	4-3/4	3.18	1800
2	1904	3-1/8	8	8	4-6	4-11/16	5-1/2	5-1/4	3.97	1800



# PIPE COVERING PROTECTION SADDLE

PLAIN, HOT-DIP GALVANIZED, ELECTRO-GALVANIZED, 304 & 316 STAINLESS STEEL



## DIMENSIONAL DATA (CONT'D)

Pipe Size	Fig. No.	Actual Thickness of Covering	Hanger Roller Size			Center Line of Pipe to Outside of Saddle	Center Line of Pipe to Center Line of Roll	Center Line of Pipe to Center Line of Roll	Weight Each (lbs)	Max Rec Load (lbs)
			Use with Fig. No.							
			273 275 277	272	279-S 280-S					
			C	D	E					
2-1/2	1900	1-1/16	3-1/2	5	2 - 3-1/2	2-11/16	3-1/4	3-5/16	1.34	1200
2-1/2	1901	1-7/8	5	6	4-6	3-3/4	4-1/8	3-15/16	1.98	1200
2-1/2	1902	2-5/16	6	7	4-6	3-15/16	4-5/8	4-1/2	2.80	1800
2-1/2	1903	2-7/8	7	8	4-6	4-7/16	5-1/4	5	3.20	1800
2-1/2	1904	3-3/8	8	10	4-6	4-15/16	5-3/4	5-1/2	3.98	1800
3	1900	1	4	5	2 - 3-1/2	2-15/16	3-1/2	3-9/16	1.48	1200
3	1901	1-9/16	5	6	4-6	3-1/2	4-3/16	4-1/4	2.08	1800
3	1902	2-1/16	7	7	4-6	4-1/8	4-7/8	4-11/16	2.90	1800
3	1903	2-1/16	8	8	4-6	4-11/16	5-3/8	5-5/16	3.01	1800
3	1904	3-1/16	10	10	8-10	5	5-15/16	6-1/16	4.49	1800
3-1/2	1900	1-1/4	5	6	4-6	3-7/16	4	3-15/16	1.48	1200
3-1/2	1901	1-13/16	7	7	4-6	4	4-11/16	4-1/2	2.08	1800
3-1/2	1902	2-1/4	8	8	4-6	4-3/8	5-3/16	5	2.90	1800
3-1/2	1903	2-3/4	8	10	8-10	4-13/16	5-3/4	5-11/16	3.43	1800
3-1/2	1904	3-5/16	10	10	8-10	5-1/2	6-7/16	6-3/8	4.49	1800
4	1900	1-1/16	5	6	4-6	3-9/16	4-3/16	4-3/16	1.58	1800
4	1901	1-9/16	7	7	4-6	3-7/8	4-11/16	4-3/4	2.14	1800
4	1902	2-1/16	8	8	4-6	4-11/16	5-1/2	5-1/4	2.95	1800
4	1903	2-9/16	8	10	8-10	5-1/8	6-1/16	6	3.43	1800
4	1904	3-1/16	10	10	8-10	5-9/16	6-1/2	6-5/8	4.49	1800
4	1905	4-1/16	12	14	8-10	6-9/16	7-11/16	7-9/16	6.09	1800
5	1900	1	7	7	4-6	4-1/8	4-13/16	4-3/4	2.62	1800
5	1901	1-1/2	8	8	4-6	4-1/2	5-5/16	5-3/8	3.30	1800
5	1902	2	8	10	8-10	4-15/16	5-7/8	6-1/8	3.45	1800
5	1903	2-9/16	10	12	8-10	5-9/16	6-1/2	6-5/8	6.85	1800
5	1904	3-1/16	10	12	8-10	6-1/8	7-1/16	7-1/4	4.49	1800
5	1905	4-3/16	12	14	8-10	7-3/16	8-1/4	8-3/16	6.09	1800
6	1900	1	8	8	4-6	4-9/16	5-3/8	5-1/4	3.82	1800
6	1901	1-1/2	8	10	8-10	5-1/16	5-7/8	6	4.28	1800
6	1902	2	10	10	8-10	5-1/2	6-1/2	6-1/2	5.40	1800
6	1903	2-1/2	10	12	8-10	6-1/16	7-1/16	7-1/4	6.85	1800
6	1904	3	12	12	8-10	6-9/16	7-5/8	7-5/8	7.69	1800
6	1905	4-1/8	14	16	12-14	7-5/8	9-1/8	8-3/4	10.24	1800
8	1901	1-1/2	10	12	8-10	6	7-1/8	7-1/16	5.82	1800
8	1902	2	12	12	8-10	6-1/2	7-5/8	7-9/16	6.41	1800
8	1903	2-11/16	12	14	8-10	7-1/4	8-5/16	8-5/16	7.21	1800
8	1904	3-1/8	14	16	12-14	7-5/8	9-1/8	8-3/4	9.14	1800
8	1905	4-1/8	16	18	12-14	8-11/16	10-1/8	9-7/8	10.24	1800



# PIPE COVERING PROTECTION SADDLE

PLAIN, HOT-DIP GALVANIZED, ELECTRO-GALVANIZED, 304 & 316 STAINLESS STEEL



## DIMENSIONAL DATA (CONT'D)

Pipe Size	Fig. No.	Actual Thickness of Covering	Hanger Roller Size			Center Line of Pipe to Outside of Saddle	Center Line of Pipe to Center Line of Roll	Center Line of Pipe to Center Line of Roll	Weight Each (lbs)	Max Rec Load (lbs)
			Use with Fig. No.							
			273 275 277	272	279-S 280-S					
					C	D	E			
10	1901	1-9/16	12	14	8-10	7-1/4	8-5/16	8-5/16	6.66	1800
10	1902	2-1/16	14	16	12-14	7-5/8	9-1/16	8-13/16	8.57	1800
10	1903	2-9/16	14	16	12-14	8-3/16	9-5/8	9-5/16	8.91	1800
10	1904	3-1/16	16	18	16-20	8-7/8	10-1/4	10	11.10	1800
10	1905	4-1/16	18	20	16-20	9-11/16	11-5/16	11-1/8	14.10	1800
12	1901	1-1/2	14	16	12-14	8-1/16	9-5/8	9-1/4	7.61	5000
12	1902	2-1/16	16	18	16-20	8-13/16	10-3/16	10	8.73	5000
12	1903	2-5/8	16	18	16-20	9-1/8	10-11/16	10-1/2	9.69	5000
12	1904	3-1/16	18	20	16-20	9-11/16	11-5/16	11	11.38	5000
12	1905	4-1/8	20	-	16-20	10-13/16	12-3/8	12-3/16	14.20	5000
14	1901	1-1/2	18	18	12-14	8-7/8	10-3/16	10-1/16	7.67	5000
14	1902	2	18	18	16-20	9-1/4	10-3/4	10-11/16	9.43	5000
14	1903	2-1/2	20	20	16-20	9-3/4	11-5/16	11-3/16	9.69	5000
14	1904	3	24	20	16-20	10-1/4	11-7/8	11-5/8	11.82	5000
14	1905	4	24	-	24	11-7/16	13-1/8	12-5/8	18.48	7200
16	1901	1-1/2	18	20	16-20	9-7/8	11-3/8	11-1/8	8.35	5000
16	1902	2	18	20	16-20	10-1/4	11-7/8	11-9/16	10.00	5000
16	1903	2-1/2	20	-	16-20	10-7/8	12-7/16	12-3/16	14.62	7200
16	1904	3	24	-	24	11-3/16	13-1/8	12-7/16	18.17	7200
16	1905	4	24	-	24	12-5/16	14-3/16	12-3/16	21.80	7200
18	1901	1-1/2	20	-	16-20	10-7/8	12-1/2	12-3/16	8.92	5000
18	1902	2	20	-	24	11-1/2	13-1/16	12-11/16	13.19	7200
18	1903	2-1/2	24	-	24	12	13-15/16	13-1/16	16.89	7200
18	1904	3	24	-	24	12-5/16	14-1/4	13-5/8	18.20	7200
18	1905	4	24	-	24	13-1/2	15-7/16	14-3/4	21.95	7200
20	1901	1-1/2	24	-	24	11-3/4	13-11/16	13-1/16	13.76	7200
20	1902	2	24	-	24	12-5/16	14-1/4	13-5/8	14.98	7200
20	1903	2-1/2	24	-	24	12-7/8	14-13/16	14-3/16	16.79	7200
20	1904	3	24	-	24	13-1/2	15-1/2	14-3/4	18.40	7200
20	1905	4	30	-	30	14-3/16	16-5/8	15-7/8	22.83	7200
24	1901	1-1/2	30	-	30	13-5/8	16-1/16	15-1/4	16.05	7200
24	1902	2	30	-	30	14-3/16	16-5/8	15-3/4	17.62	7200
24	1903	2-1/2	30	-	30	14-3/4	17-3/16	16-7/16	18.75	7200
24	1904	3	30	-	30	15-3/8	17-13/16	17	19.72	7200
24	1905	4	30	-	30	16-9/16	19	19-1/4	23.14	7200