



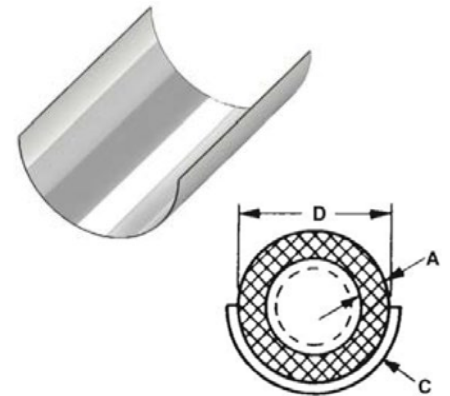
# PIPE COVERING PROTECTION SHIELD

PRE-GALVANIZED, 304 & 316 STAINLESS STEEL



## PIPE COVERING PROTECTION SHIELD - DIMENSIONAL DATA

|                  |                                                                                                                                                                                      |
|------------------|--------------------------------------------------------------------------------------------------------------------------------------------------------------------------------------|
| <b>Material</b>  | Pre-galvanized carbon steel, also available in 304 and 316 stainless steel.                                                                                                          |
| <b>Finish</b>    | Pre-galvanized.                                                                                                                                                                      |
| <b>Service</b>   | Designed for outside of foam or fiberglass insulation on stationary pipe lines (not designed for pipe rollers) to prevent crushing of insulation without breaking the vapor barrier. |
| <b>Approvals</b> | Complies with Federal Specifications WW-H-171-E (Type# 41), A-A-1192 A (Type# 40), and MSS SP-58 and SP-69 (Type# 40).                                                               |
| <b>Ordering</b>  | Specify shield size and figure number.                                                                                                                                               |
| <b>Notes</b>     | Also available in 304 stainless steel.                                                                                                                                               |



| Size No. Shield | B Length | C Stock Size | D Diameter | Hanger Size | Weight Each (lbs) |
|-----------------|----------|--------------|------------|-------------|-------------------|
| 0               | 12       | 24ga         | 1-7/8      | 1-1/2       | 0.25              |
| 1               |          |              | 2-3/8      | 2           | 0.31              |
| 2               |          |              | 2-7/8      | 2-1/2       | 0.37              |
| 3               |          |              | 3-1/2      | 3           | 0.90              |
| 4               |          |              | 4          | 3-1/2       | 0.95              |
| 5               |          |              | 4-1/2      | 4           | 1.10              |
| 6               |          | 5            | 5          | 1.25        |                   |
| 7               |          | 5-9/16       | 5          | 1.40        |                   |
| 8               |          | 6-5/8        | 6          | 1.65        |                   |
| 9               |          | 7-5/8        | 8          | 1.90        |                   |
| 10              |          | 8-5/8        | 8          | 2.10        |                   |
| 13              |          | 9-5/8        | 10         | 2.35        |                   |
| 14              |          | 10-3/4       | 10         | 2.65        |                   |
| 15              |          | 11-3/4       | 12         | 2.95        |                   |
| 16              |          | 12-3/4       | 12         | 3.15        |                   |
| 17              |          | 14           | 14         | 4.45        |                   |
| 18              |          | 15           | 16         | 4.46        |                   |
| 19              |          | 16           | 16         | 4.90        |                   |
| 20              |          | 17           | 18         | 5.15        |                   |
| 21              |          | 18           | 18         | 5.50        |                   |
| 22              |          | 19           | 20         | 5.70        |                   |
| 23              |          | 20           | 20         | 6.35        |                   |
| 24              |          | 21           | 24         | 6.45        |                   |
| 25              |          | 22           | 24         | 6.60        |                   |
| 26              |          | 23           | 24         | 7.00        |                   |
| 27              |          | 24           | 24         | 7.85        |                   |
| 28              |          | 26           | 30         | 7.90        |                   |
| 29              |          | 27           | 30         | 8.05        |                   |
| 30              |          | 28           | 30         | 8.60        |                   |

| Pipe Size | A-Insulation Thickness |     |     |       |    |
|-----------|------------------------|-----|-----|-------|----|
|           | 1/2                    | 3/4 | 1   | 1-1/2 | 2  |
| 1/2       | 0                      | 1   | -   | -     | -  |
| 3/4       | 1                      | 1   | 2   | 4     | 6  |
| 1         | 1                      | 2   | 3   | 5     | 7  |
| 1-1/4     | 2                      | 3   | 3   | 6     | 7  |
| 1-1/2     | 2                      | 3   | 4   | 6     | 7  |
| 2         | 3                      | 4   | 5   | 7     | 8  |
| 2-1/2     | 4                      | 5   | 6   | 7     | 8  |
| 3         | 5                      | 6   | 7   | 8     | 9  |
| 3-1/2     | -                      | -   | 8   | 9     | 10 |
| 4         | -                      | -   | 8   | 9     | 10 |
| 5         | -                      | -   | 9   | 10    | 13 |
| 6         | -                      | -   | 10  | 13    | 14 |
| 8         | -                      | -   | 14  | 15    | 16 |
| 10        | -                      | -   | 16  | 17    | 18 |
| 12        | -                      | -   | 18  | 19    | 20 |
| 14        | -                      | -   | 19  | 20    | 21 |
| 16        | -                      | -   | 21  | 22    | 23 |
| 18        | -                      | -   | 23  | 24    | 25 |
| 20        | -                      | -   | 225 | 26    | 27 |
| 24        | -                      | -   | 28  | 29    | 30 |

| Tubing Size | A-Insulation Thickness |     |    |       |    |
|-------------|------------------------|-----|----|-------|----|
|             | 1/2                    | 3/4 | 1  | 1-1/2 | 2  |
| 1/2         | 0                      | 1   | 2  | 4     | 5  |
| 3/4         | 0                      | 1   | 2  | 4     | 6  |
| 1           | 1                      | 2   | 3  | 4     | 6  |
| 1-1/4       | 1                      | 2   | 3  | 5     | 7  |
| 1-1/2       | 2                      | 3   | 3  | 5     | 7  |
| 2           | 3                      | 4   | 4  | 6     | 8  |
| 2-1/2       | 4                      | 5   | 5  | 7     | 8  |
| 3           | 5                      | 6   | 6  | 8     | 9  |
| 3-1/2       | 6                      | 7   | 7  | 8     | 9  |
| 4           | 7                      | 7   | 8  | 9     | 10 |
| 5           | 8                      | 8   | 9  | 10    | 13 |
| 6           | 9                      | 9   | 10 | 13    | 14 |