

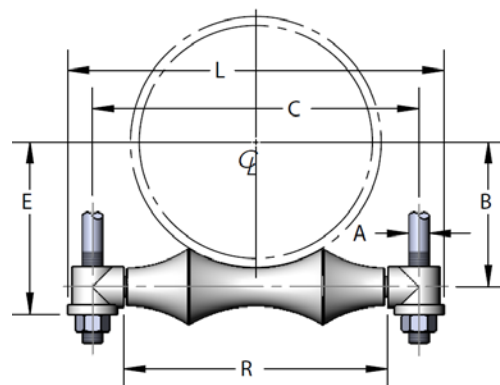


ADJUSTABLE TWO ROD ROLLER HANGER

PLAIN, HOT-DIP GALVANIZED, 304 & 316 STAINLESS STEEL

DIMENSIONAL DATA

Materials/Finishes	Plain Carbon Steel; Hot-Dip Galvanized; 304 Stainless Steel; 316 Stainless Steel
Variants	With Non Conductive Roll
Service	Designed for the suspension of pipe where longitudinal movement may occur due to expansion and contraction, and vertical adjustment is necessary.
Approvals	Complies with Federal Specification WW-H-171-E (Type# 42), A-A-1192 A (Type# 41) and Manufacturers' Standardization Society MSSSP-58 and SP-69 (Type# 41).
Ordering	Specify figure number, finish and roller size. Please remember to consider insulation thickness when sizing rollers
Notes	Hot-Dip Galvanized hangers equipped with Electro-Galvanized axle.



PLAIN & HOT-DIP GALVANIZED

Hanger Size	Pipe O.D.	Axle Size	A	B	C	E	L	R	WGT EACH (lbs)	MAX REC LOAD (lbs)
2	2.375	3/8	3/8	1-9/16	4-3/8	2-3/16	5-5/8	2-7/8	0.760	600
2-1/2	2.875	1/2	1/2	1-7/8	5-1/8	2-5/8	6-1/2	3-1/8	1.185	660
3	3.500	1/2	1/2	2-1/8	5-5/8	2-7/8	7	13	1.385	700
3-1/2	4.000	1/2	1/2	2-1/2	5-7/8	3-1/4	7-1/4	3-7/8	1.500	750
4	4.500	1/2	5/8	2-13/16	6-7/8	3-13/16	8-9/16	4-3/4	2.110	750
5	5.563	5/8	5/8	3-3/8	8-1/16	4-3/8	9-3/4	5-3/4	2.570	750
6	6.625	3/4	3/4	3-15/16	9-9/16	4-15/16	11-5/8	6-7/8	4.395	1070
7	7.625	3/4	3/4	4-1/2	10-1/2	5-1/4	12-1/2	8	5.160	1100
8	8.625	7/8	7/8	5-1/8	11-15/16	6-3/8	14-1/4	8-7/8	7.425	1350
10	10.750	7/8	7/8	6-1/4	14-1/16	7-1/2	16-1/4	11	9.170	1730
12	12.750	7/8	7/8	7-5/16	15-13/16	8-9/16	18	13	13.150	2400
14	14.000	1-1/8	1	8-3/8	17-3/4	9-13/16	20-1/2	14-1/4	18.745	3130
16	16.000	1-1/4	1	9-1/2	20-9/16	10-15/16	23-3/8	16-7/8	24.540	3970
18	18.000	1-1/4	1	10-7/16	22-3/4	11-7/8	24-7/8	18-5/16	27.200	4200
20	20.000	1-1/4	1-1/4	11-1/2	24-1/4	13-3/8	27	20-1/4	32.000	4550
24	24.000	1-1/2	1-1/2	13-13/16	28-7/8	16-1/16	32	24-1/4	54.000	6160
30	30.000	1-3/4	1-1/2	17-1/4	35-1/2	19-5/8	30-1/4	30-1/4	82.000	7290

**ADJUSTABLE TWO ROD ROLLER HANGER**

PLAIN, HOT-DIP GALVANIZED, 304 & 316 STAINLESS STEEL

DIMENSIONAL DATA (CONT'D)**304 & 316 STAINLESS STEEL**

Hanger Size	Pipe O.D.	Axle Size	A	B	C	E	L	R	WGT EACH (lbs)	MAX REC LOAD (lbs)
3	3.500	1/2	1/2	2-1/8	5-11/16	2-7/8	7-1/16	3-3/4	0.760	600
4	4.500	1/2	1/2	2-13/16	6-11/16	3-3/8	8-1/16	4-3/4	2.110	750
6	6.625	3/4	3/4	3-15/16	9-13/16	4-15/16	11-11/16	6-7/8	4.395	1070
8	8.625	7/8	7/8	5-1/8	12-3/16	6-3/8	14-5/16	8-7/8	7.425	1350
10	10.750	7/8	7/8	6-1/4	13-5/16	7-1/2	16-1/16	11	9.170	1730
12	12.750	7/8	7/8	7-5/16	15-15/16	8-9/16	18-1/16	13	130150	2400
14	14.000	1	1	8-3/8	18	9-13/16	20-3/4	14-1/4	18.745	3130
16	16.000	1-1/4	1-1/4	9-1/2	20-7/8	10-15/16	23-5/8	16-7/8	24.540	3970
18	18.000	1-1/4	1-1/4	10-7/16	22-3/8	11-7/8	25-1/8	18-5/16	27.200	4200
20	20.000	1-1/4	1-1/4	11-1/2	24-3/8	13-3/8	27-1/8	20-1/4	32.000	4550