

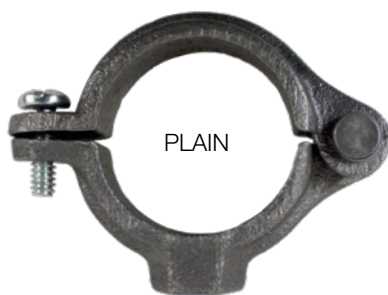


HINGED SPLIT RING HANGER

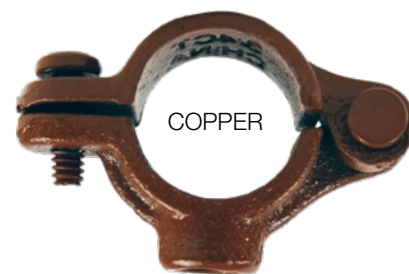
PLAIN, ELECTRO-GALVANIZED & COPPER



ELECTRO-GALVANIZED



PLAIN



COPPER

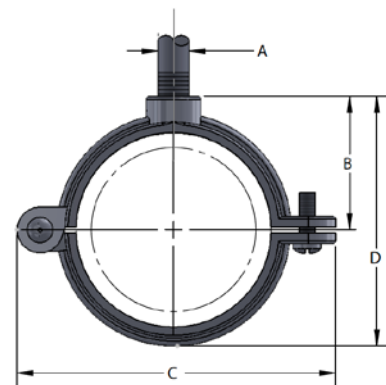
KEY BENEFITS

- Malleable Iron
- Available in Plain, Electro-Galvanized and Copper Finishes

DIMENSIONAL DATA - ELECTRO-GALV & PLAIN

Materials/Finishes	Plain Malleable Iron Electro-Galvanized Chrome Plated
Variants	N/A
Service	Designed for the suspension of non-insulated stationary pipe lines horizontally or vertically.
Approvals	Complies with Federal Specification WWH-171-E (Type# 25), AA-1192A (Type# 12), Manufacturers' Standardization Society SP-58 and MSS SP-69 (Type# 12)
Notes	N/A

Pipe Size	Pipe O.D.	Screw	A	B	C	D	WGT Each (lbs)	Max Rec Loads (lbs)
3/8	0.675	10-24	3/8-16	11/16	1-13/16	1-3/16	0.084	180
1/2	0.840	10-24	3/8-16	3/4	2-1/8	1-3/16	0.098	180
3/4	1.050	10-24	3/8-16	7/8	2-1/2	1-9/16	0.112	180
1	1.315	10-24	3/8-16	1-1/8	2-3/4	2	0.147	180
1-1/4	1.660	10-24	3/8-16	1-5/16	3-3/16	2-3/8	0.181	180
1-1/2	1.900	10-24	3/8-16	1-7/16	3-3/8	2-5/8	0.214	180
2	2.375	10-24	3/8-16	1-5/8	3-15/16	3-1/16	0.299	180
2-1/2	2.875	1/4	1/2-13	2-1/8	5-3/16	3-13/16	0.583	300
3	3.500	1/4	1/2-13	2-1/2	5-11/16	4-5/8	0.713	300
4	4.500	1/4	1/2-13	2-7/8	6-3/4	5-9/16	1.019	300





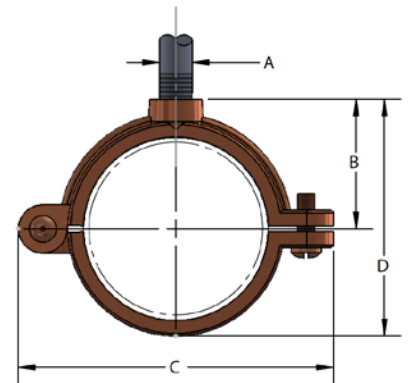
HINGED SPLIT RING HANGER

PLAIN, ELECTRO-GALVANIZED & COPPER

DIMENSIONAL DATA - COPPER

Materials/Finishes	Copper epoxy coated Malleable Iron
Variants	N/A
Service	Designed for the suspension of non-insulated stationary copper tubing, horizontally or vertically.
Approvals	Complies with Federal Specification WWH-171-E (Type# 25), AA-1192A (Type# 12), Manufacturers' Standardization Society SP-58 and MSS SP-69 (Type# 12)
Notes	Copper epoxy products offer superior corrosion protection due to the epoxy coating over electro-galvanized material. The alternative copper plating that has been done historically identifies the product and is not intended for protection. Refer to MSS SP58, 13.3.

Pipe Size	Pipe O.D.	Screw	A	B	C	D	WGT Each(lbs)	Max Rec Loads (lbs)
1/4	0.375	10-24	3/8-16	9/16	1-3/4	7/8	0.073	180
3/8	0.500	10-24	3/8-16	5/8	1-3/4	1-1/16	0.080	180
1/2	0.625	10-24	3/8-16	11/16	1-7/8	1-3/16	0.084	180
3/4	0.875	10-24	3/8-16	1-3/16	2-5/16	1-7/16	0.106	180
1	1.125	10-24	3/8-16	1-5/16	2-7/16	1-5/8	0.122	180
1-1/4	1.375	10-24	3/8-16	1-1/6	2-13/16	1-15/16	0.152	180
1-1/2	1.625	10-24	3/8-16	1-3/16	3-1/16	2-3/16	0.172	180
2	2.125	10-24	3/8-16	1-7/16	3-5/8	2-11/16	0.233	180
2-1/2	2.625	1/4	1/2-13	1-7/8	4-15/16	2-7/16	0.449	300
3	3.125	1/4	1/2-13	2-1/8	5-1/2	4-1/16	0.663	300
4	4.125	1/4	1/2-13	2-5/8	6-5/8	5-1/16	0.753	300





HINGED SPLIT RING HANGER

PLAIN, ELECTRO-GALVANIZED & COPPER

ORDERING INFORMATION

PLAIN

PART #	PIPE SIZE	QUANTITY / CASE
6SHPL0100	1	100 / CASE
6SHPL0200	2	50 / CASE
6SHPL0300	3	50 / CASE

ELECTRO-GALVANIZED

PART #	SIZE	QUANTITY / CASE
6SHGV0012	1/2	100 / CASE
6SHGV0034	3/4	100 / CASE
6SHGV0100	1	100 / CASE
6SHGV0114	1-1/4	50 / CASE
6SHGV0112	1-1/2	50 / CASE
6SHGV0200	2	50 / CASE
6SHGV0212	2-1/2	50 / CASE
6SHGV0300	3	50 / CASE
6SHGV0400	4	25 / CASE

COPPER

PART #	SIZE	QUANTITY / CASE
6SHCP0012	1/2	100 / CASE
6SHCP003/4	3/4	100 / CASE
6SHCP0100	1	100 / CASE
6SHCP0114	1-1/4	50 / CASE
6SHCP0112	1-1/2	50 / CASE
6SHCP0200	2	50 / CASE
6SHCP0212	2-1/2	50 / CASE